
Electric Pallet truck

10/12/15ES



■ Photo may include optional equipment.

Standard Configurations

10ES

- Lifting Capacity : 1000 kg
- AC Drive Motor 1.2 kW / Lift motor 2.2 kW
- Curtis controller
- Drive wheel : 250 x 70 mm
- Double Polyurethane Load wheels wheel (size: 80 x 70 mm)
- Hourmeter, battery discharge indicator (BDI) & lift cut off
- Duplex 3.0 m Mast without free lift
- Overall Fork Width x Length : 580 mm x 1150 mm
- Turtle switch / crawl speed button
- Tiller head with big control buttons
- Automatic Drive speed reduction (lifting over 1.8 m)
- Ergonomic low-mounted tiller
- Loadguard

12ES

- Lifting Capacity : 1200 kg
- AC Drive Motor 1.2 kW / Lift motor 2.2 kW
- Curtis controller
- Drive wheel : 250 x 70 mm
- Double Polyurethane Load wheel wheel (size: 80 x 70 mm)
- Hourmeter, battery discharge indicator (BDI) & lift cut off
- Duplex 3.0 m Mast without free lift
- Overall Fork Width x Length : 580 mm x 1150 mm
- Turtle switch / crawl speed button
- Tiller head with big control buttons
- Automatic Drive speed reduction (lifting over 1.8 m)
- Ergonomic low-mounted tiller
- Loadguard

15ES

- Lifting Capacity : 1500 kg
- AC Drive Motor 1.5 kW / Lift motor 3.2 kW
- Curtis controller
- Drive wheel : 250 x 70 mm
- Double Polyurethane Load wheels wheel (size: 84 x 80 mm)
- Hourmeter, battery discharge indicator (BDI) & lift cut off
- Duplex 3.0 m Mast with free lift
- Overall Fork Width x Length : 570 mm x 1150 mm
- Turtle switch / crawl speed button
- Tiller head with big control buttons
- Proportional Lifting
- Automatic Drive speed reduction (lifting over 1.8m)
- Ergonomic low-mounted tiller
- Loadguard

Advantages

SAFETY AND PRODUCTIVITY

- AC technology gives high performance and low maintenance (no carbon brushes)
- Multi-functional display with BDI and hour meter.
- Proportional travel speed control.
- Switch shuts off liftmotor.
- Intelligent regenerative brake system for fast and efficient handling
- Proportional speed control ensures precise operation
- Anti roll-back on gradients (parking brake)
- Precision in storage and retrieval operations due to proportional hydraulics (15ES)
- Side battery removal for multiple shift operations
- Turtle mode switch, for safe maneuverability with tiller in upright position
- Long tiller ensures large safety distance between operator and truck

STRUCTURE DESIGN

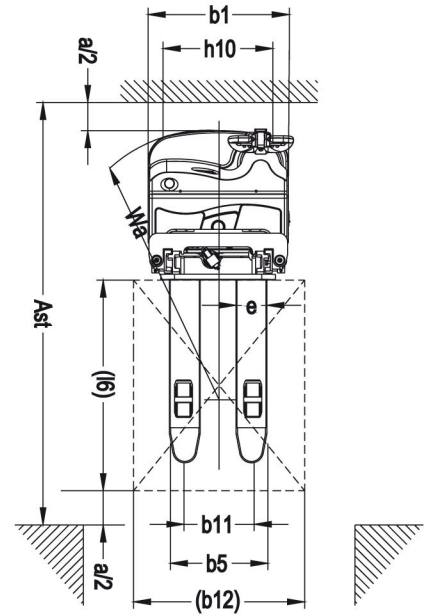
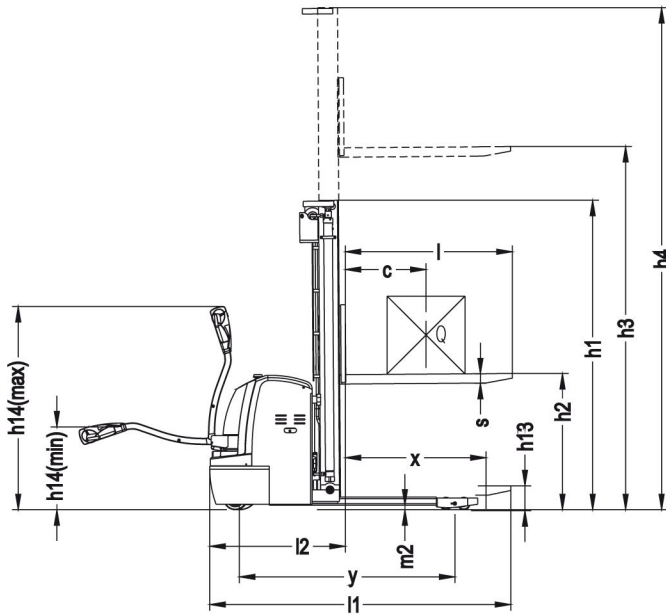
- The closed motor structure is water- and dust resistant
- Improved lateral stability thanks to spring applied castor wheels
- Torsion resistant forks, welded type
- Offset low mounted tiller for improved visibility
- Lifting heights up to 5000 mm

SERVICEABILITY

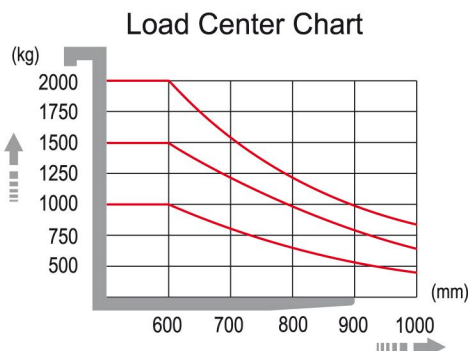
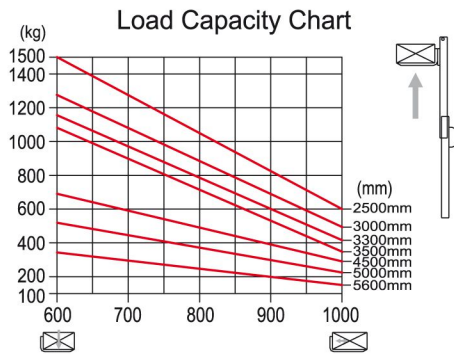
- CANbus technology reduces wiring complexity.
- All pivot points have grease fittings and serviceable bushings, to reduce component-wearing.
- Easy access to all components thanks to removal of 1-piece front cover.

Electric Pallet truck

Dimensions



Lifting capacity



Option

- Integrated Charger
 - 10/12 ES : (24V/15A)
 - 15 ES : (24V/30A)
- Keyless ignition (keypad)
- Battery trolley
- Fork length (mm)
 - 10/12/15 ES : 800; 900; 1000; 1200

10/12ES

- Lifting height 2500 mm, Duplex mast without free lift
- Lifting height 3300 mm, Duplex mast without free lift

15ES

- Tiller head with big control buttons
- Coldstore specification -18°C
- Initial lift
- Lifting height 3000 mm, Duplex mast without free lift
- Lifting height 3500 mm, Duplex mast without free lift
- Lifting height 2500 mm, Duplex mast with free lift
- Lifting height 3500 mm, Duplex mast with free lift
- Lifting height 4500 mm, Triplex mast with free lift
- Lifting height 5000 mm, Triplex mast with free lift
- Lifting height 5600 mm, Triplex mast with free lift

Specification (according to VDI 2198)

Characteristics						
1.1	manufacturer (abbreviation)			Hyundai	Hyundai	Hyundai
1.2	Model			10ES	12ES	15ES
1.3	Drive type			electric	electric	electric
1.4	Operator type			pedestrian	pedestrian	pedestrian
1.5	Load capacity/rated load	Q	kg	1000	1200	1500
1.6	Load center distance	c	mm	500	500	600
1.8	Load distance	x	mm	697	697	697
1.9	Wheelbase	y	mm	1335	1335	1383
Weight						
2.1	Service weight(with battery)		kg	700 / 730 / 750	710 / 740 / 760	1230 / 1245 / 1260 / 1270
2.2	Axle load, front/rear, loaded		kg	950 / 770	1060 / 870	1470 / 1310
2.3	Axle load, front/rear, unloaded		kg	555 / 165	560 / 170	900 / 380
Wheels/Chassis						
3.1	Tyres: solid rubber, superelastic, pneumatic, polyurethane			polyurethane	polyurethane	polyurethane
3.2	Tyre size, front			φ 250 × 70	φ 250 × 70	φ 250 × 70
3.3	Tyre size, rear			φ 80 × 70	φ 80 × 70	φ 80 × 84
3.4	Additional wheels(dimensions)			φ 150 × 60	φ 150 × 60	φ 150 × 60
3.5	Wheels number, front/rear (x = driven wheels)			1x+1/4	1x+1/4	1x+1/4
3.6	Tread, front	b10	mm	520	520	520
3.7	Tread, rear	b11	mm	410 / 525	410 / 525	404 / 525
Dimension						
4.2	Height of mast, lowered	h1	mm	2087 / 1837 / 2087 / 2237	2087 / 1837 / 2087 / 2237	1735 / 1985 / 2135 / 2235
4.3	Free lift height (optional)			N/A	N/A	1300 / 1550 / 1700 / 1800
4.4	Lift height	h3	mm	1600 / 2500 / 3000 / 3300	1600 / 2500 / 3000 / 3300	2500 / 3000 / 3300 / 3500
4.5	Max. height of mast, extended	h4	mm	2087 / 3087 / 3587 / 3887	2087 / 3087 / 3587 / 3887	2955 / 3455 / 3755 / 3955
4.9	Min. /Max. height of operation handle, in driving position	h14	mm	670 / 1300	670 / 1300	670 / 1300
4.15	Height, lowered	h13	mm	90	90	90
4.19	Overall length	l1	mm	1965	1965	1950
4.20	Length to fork face	l2	mm	792	792	878
4.21	Overall width of truck body	b1	mm	820	820	820
4.22	Fork dimension	s/e/l	mm	60 / 170 / 1070 (1150)	60 / 170 / 1070 (1150)	60 / 180 / 1070 (1150)
4.25	Overall width of fork	b5	mm	580 / 695	580 / 695	570 / 695
4.32	Wheelbase ground distance	m2	mm	28	28	31
4.33	Aisle width, with pallet 1000 x 1200 crosswise	Ast	mm	2400	2400	2450
4.34	Aisle width, with pallet 800 x 1200 lengthwise	Ast	mm	2370	2370	2420
4.35	Turning radius	Wa	mm	1525	1525	1575
Performance Data						
5.1	traveling speed, loaded/unloaded		km/h	5.3 / 5.6	5.3 / 5.6	5.8 / 6
5.2	Lifting speed, loaded/unloaded		m/s	0.06 / 0.13	0.06 / 0.13	0-0.12 / 0-0.19
5.3	Lowering speed, loaded/unloaded		m/s	0.13 / 0.10	0.13 / 0.10	0-0.35 / 0-0.12
5.7	Gradeability, loaded/unloaded		%	6 / 15	6 / 15	8 / 15
5.10	traveling brake			electromagnetic brake	electromagnetic brake	electromagnetic brake
Motor						
6.1	Driving motor power		kW	1.2 (AC)	1.2 (AC)	1.5 (AC)
6.2	Lifting motor power		kW	2.2	2.2	3.2
6.4	Battery voltage/rated capacity		V/Ah	24 / 120	24 / 120	24 / 300
6.5	Battery weight		kg	90	90	300